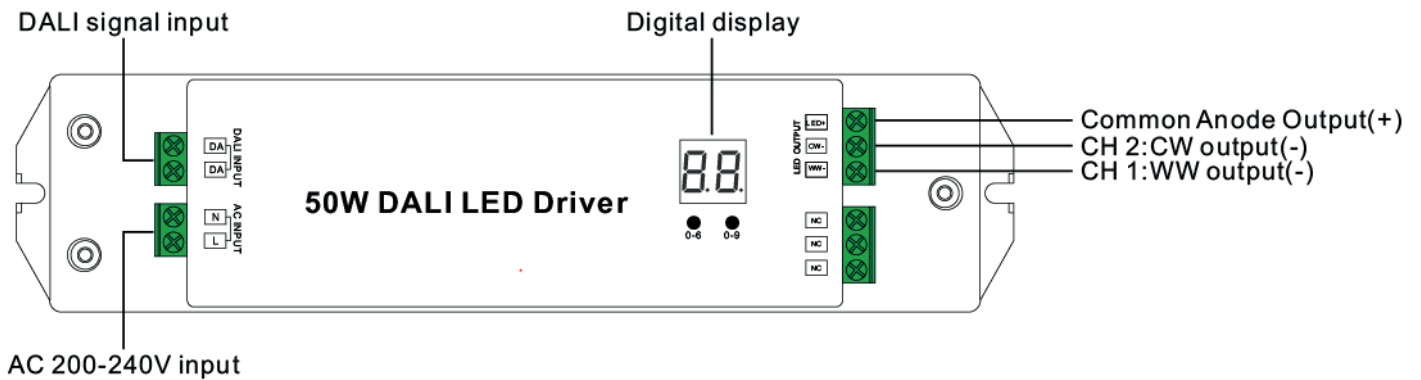


50W DALI LED Driver(DT8)



Important: Read All Instructions Prior to Installation



Product Data

Output

DC Voltage	12V DC	24V DC
Max. current	Max. 4.16A/ch, ch1+ch2=4.16A	Max. 2.08A/ch, ch1+ch2=2.08A
Rated Power	max. 50W	

Input

Voltage Range	200-240V AC	
Frequency	50/60Hz	
Power Factor (Typ.)	> 0.9	
Total Harmonic Distortion	THD ≤ 15% (@ full load / 230VAC)	
Efficiency (Typ.)	85% @ 230VAC	88% @ 230VAC
Input Current	0.27A @ 230VAC	
Inrush Current (Typ.)	COLD START Max. 2A @ 230VAC	

Protection

Over Current	Yes, auto recovery after fault removed
Over Temperature	Yes, auto recovery after fault removed

SRP-2309-24-50CVT

Environment

Working Temp.	-20°C ~ +45°C
Max. Case Temp.	85°C
Working Humidity	10% ~ 95% RH non-condensing
Storage Temp. & Humidity	-40°C ~ +80°C , 10% ~ 95% RH

Safety & EMC

Safety Standards	ENEC EN61347-1, EN61347-2-13 approved
Withstand Voltage	I/P-O/P: 3.75KVAC
EMC Emission	EN55015, EN61000-3-2, EN61000-3-3
EMC Immunity	EN61547, EN61000-4-2,3,4,5,6,8,11, surge immunity Line-Line 1KV

Others

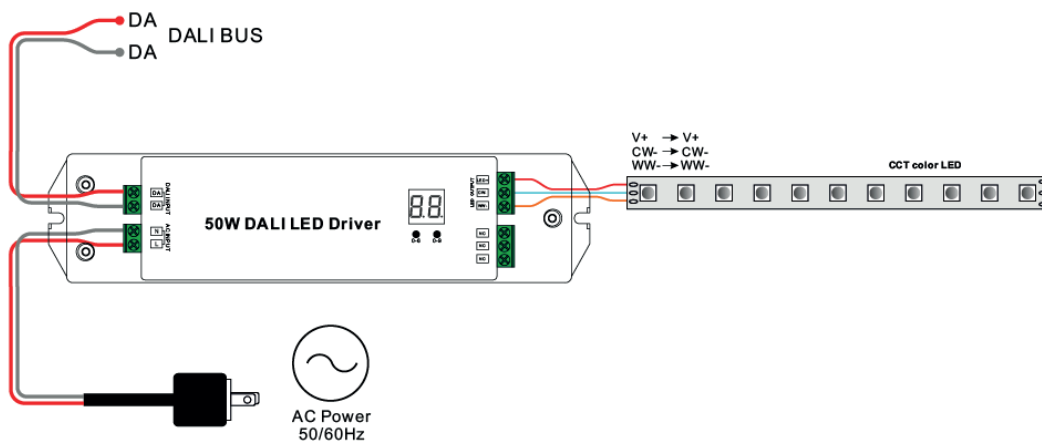
MTBF	193.6K hrs min.@ 230VAC at full load and 25°C ambient temperature
Dimensions	210*50*32mm (L*W*H)

- DALI DT8 Dimmable LED driver for tunable white
- 2 channels constant voltage output, total output power up to 50W
- Class power supply, full isolated plastic case
- High power factor and efficiency
- Built-in DALI interface, DALI DT8 device
- Complies to IEC 62386-209:2011
- DALI DT8 device to control Warm White and Cool White output via a single DALI address
- Color temperature adjustment according to DALI specifications of Device Type 8, Color Type Tc.
- Compatible with universal DALI masters that support DT8 commands
- Error report function
- IP20 rating, suitable for indoor LED lighting applications

Safety & Warnings

- DO NOT install with power applied to the device.
- DO NOT expose the device to moisture.

Wiring Diagram



Operation

1. Set DALI Address Manually Via Buttons



- 1.1 Press and hold down any of the two buttons until numeric digital display flashes, then release the button.
- 1.2 Click any of the two buttons once to select a digit, click again to change the digit until the desired DALI address appears. Click first button to set "tens" position and second button to set "units" position. The address can be set from 00~63.
- 1.3 Then press and hold down any of the 2 buttons until the numeric digital display stops flashing to confirm the setting.

Note: DALI address can be manually assigned from 00-63-FF, by factory defaults, no DALI address is assigned for the driver, and the display shows **FF** Setting DALI address as **FF** will reset the dimmer to factory defaults.

2. DALI Address Assigned by DALI Masters

2.1 DALI address can also be assigned by DALI Master controller automatically, please refer to user manuals of compatible DALI Masters for specific operations.

Note: The digital display will show **AU when the DALI master is assigning addresses.**

3. Once an address is selected, all two channels' address will be the same. For example, if the dimmer is addressed to 22 on the display then CH1 and CH2 will be the same address 22.

Product Dimension

