

4

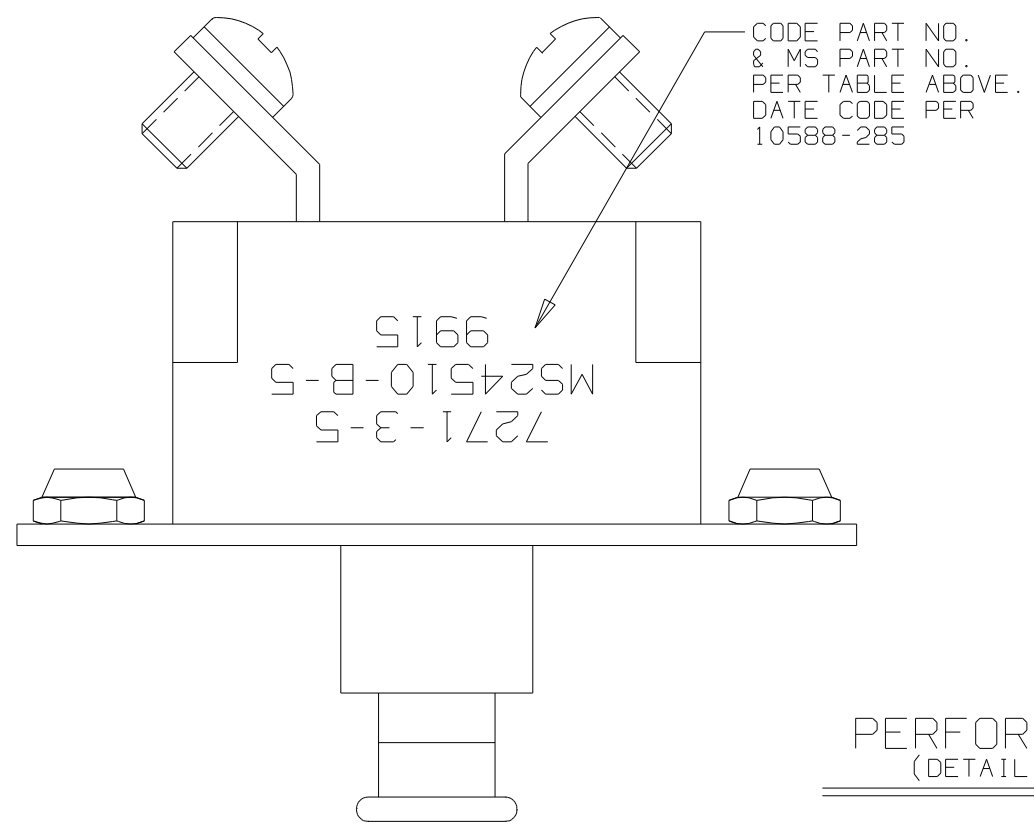
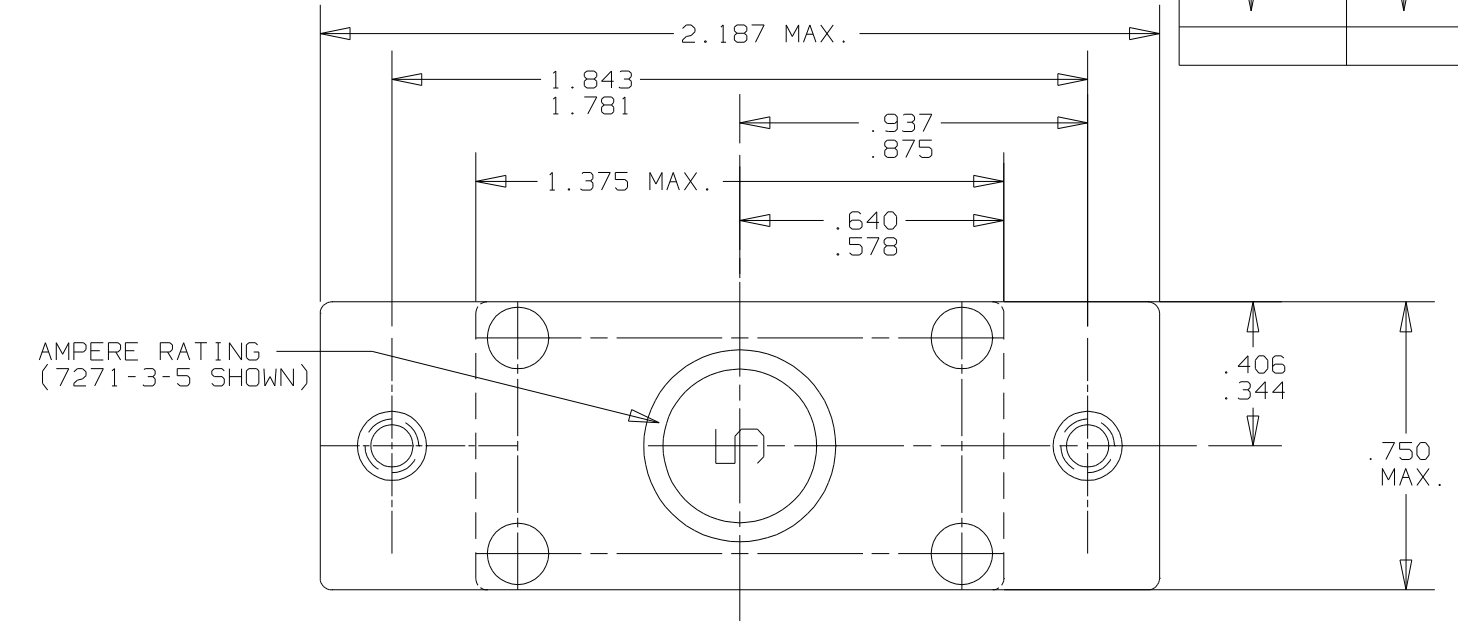
3

2

1

MAXIMUM VOLTAGE DROP	% RATED CURRENT			PART NO.	AMP. RATING	CUSTOMER PART NO.
	200	400	600			
0.75	40-120	3-26	1-12	7271-3- 3	3	
0.65	40-100	3-22	1-10	7271-3- 5	5	MS24510-B-5
0.50	10-70	.75-7.0	.25-2.5	7271-3- 7 1/2	7 1/2	MS24510-B-7 1/2
				7271-3-10	10	MS24510-B-10
				7271-3-15	15	MS24510-B-15
				7271-3-20	20	
				7271-3-25	25	
				7271-3-30	30	
				7271-3-35	35	

REVISIONS						
ZONE	LTR	7271-3	DESCRIPTION	PROJ. 438	DATE	APPROVED
	AA		MOVED CODE STAMP TO FAR SIDE	CRMS1147 JRB	6-13-00	S.J.B.



VIEW A-A

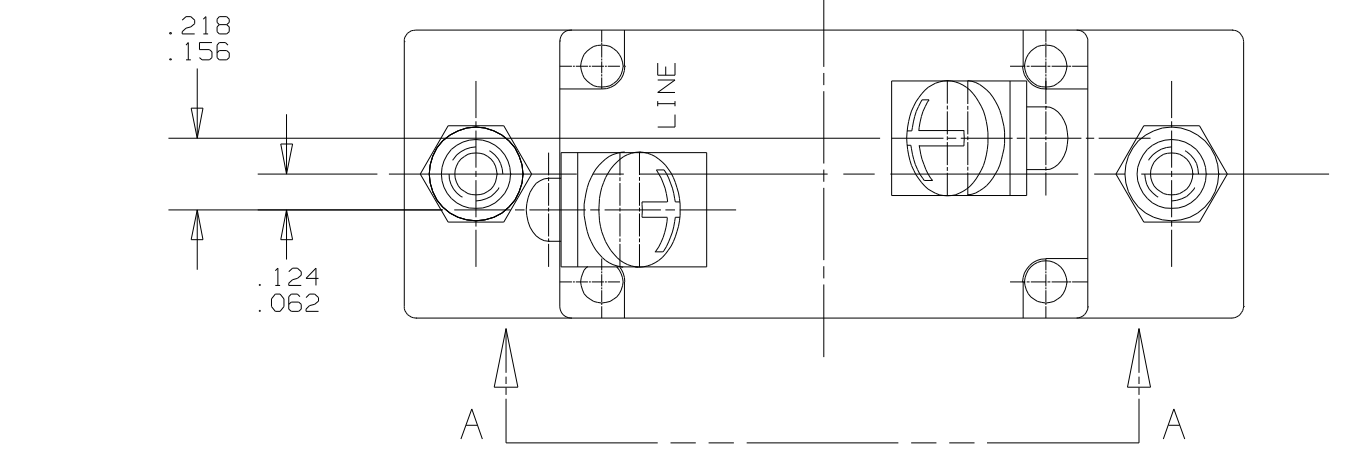
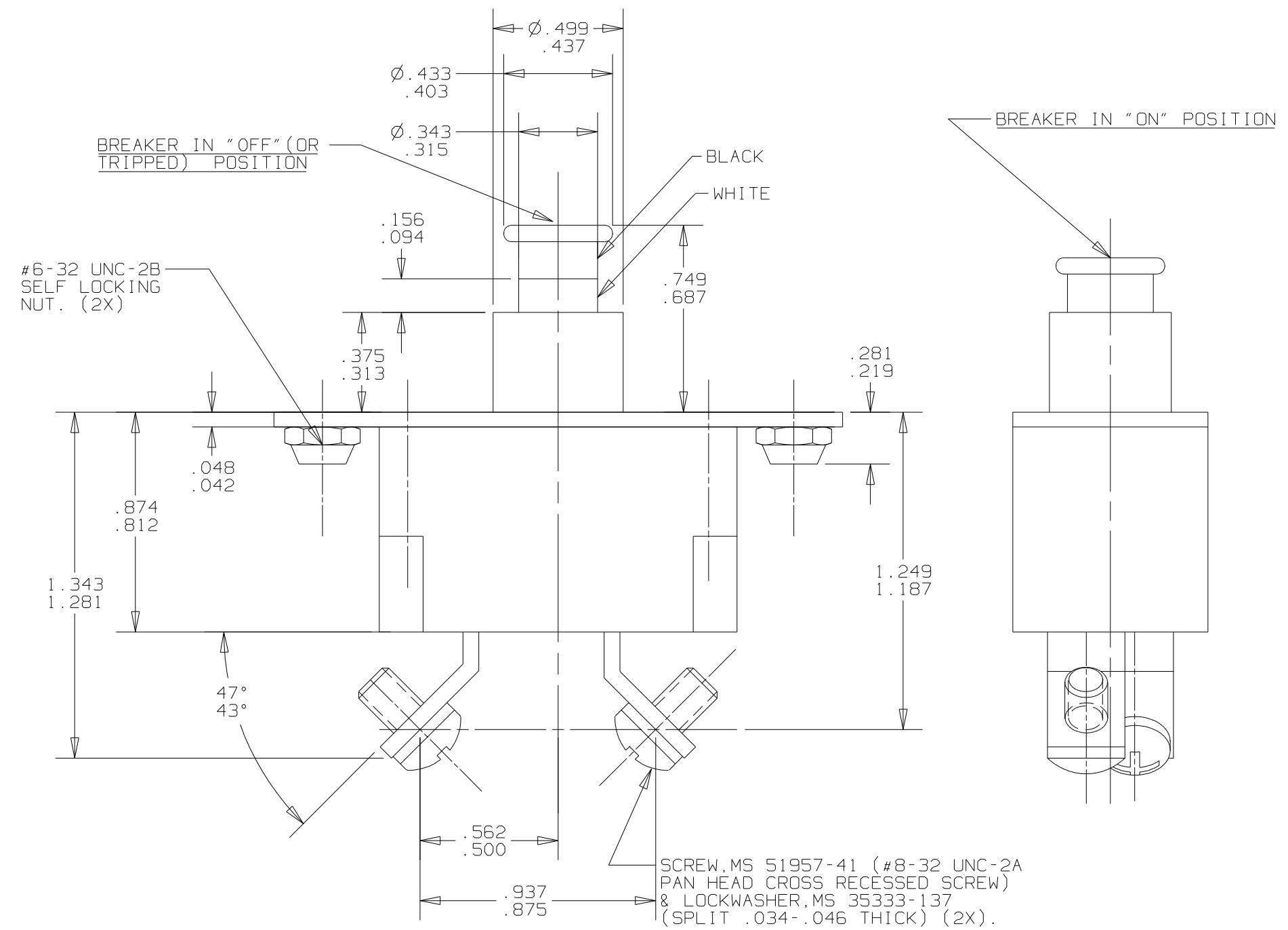
PERFORMANCE CHARACTERISTICS
(DETAIL PERFORMANCE PER MIL-C-5809)

OVERLOAD CYCLING-----100 CYCLES AT 200% RATING
 SINUSOIDAL VIBRATION-----10 G'S 50-500 HZ
 MECHANICAL SHOCK-----30 G'S AT 11.0 MILLISECOND DURATION
 ACCELERATION-----10 G'S MINIMUM
 SAND & DUST-----12 HOURS
 CORROSION -----SALT SPRAY 48 HOURS
 HUMIDITY-----10 DAYS
 EXPLOSION PROOF-----WHILE INTERRUPTING RUPTURE CURRENTS

MAXIMUM OPERATING ALTITUDE: 70,000 FT.
 WEIGHT: 39.0 GRAMS MAX.
 MAXIMUM OPERATING FORCES:
 PULL OUT----- 8 LBS. MAX.
 RESET-----12 LBS. MAX.
 CURRENT INTERRUPTION CAPACITY: 4,000 A @ 30 VDC.
 3,500 A @ 120 VAC, 400HZ.

ENDURANCE:
 120 VAC-----400 HZ INDUCTIVE -----5000 CYCLES
 120 VAC-----400 HZ RESISTIVE -----5000 CYCLES
 30 VDC-----INDUCTIVE -----200 CYCLES
 30 VDC-----RESISTIVE -----5000 CYCLES
 NO LOAD-----MECHANICAL -----10000 CYCLES

AMBIENT TEMP.	HOLD	TRIP
+25°C	115% RATING	145% RATING
-40°C	138% RATING	175% RATING
+71°C	80% RATING	125% RATING



NOTES:
 1. EPOXY SURFACES ARE NON-DIMENSIONED. ENVELOPE DRAWING DIMENSIONS DO NOT APPLY TO THESE PROJECTED EPOXY SURFACES.

THIS DRAWING SUPERSEDES 7271-3 REV"Y" DATED 5-13-99

UNLESS OTHERWISE SPECIFIED DIMENSIONS ARE IN INCHES		DATE	03	P18
TOLERANCE ON FRACTIONS DECIMALS ANGLES		DATE	Texas Instruments ATTLEBORO, MASSACHUSETTS 02703	
DRAWN O. LARSEN		5-3-95	Kloxon CONTROL PRODUCTS DIVISION	
ENGINEER M. J. LAVADO		5-3-95	TITLE 7271-3 TYPE PUSH-PULL TRIP-FREE CIRCUIT BREAKER ENVELOPE DRAWING	
APPROVED H. HIRSBRUNNER		5-16-89	SIZE CODE IDENT NO.	
APPROVED PETER G. BERG		5-3-95	C	82647
MATERIAL		SIGNATURES ON FILE. REFER TO ELECTRONIC CHANGE NOTICE.		7271-3
		SCALE: 2X		SHEET 1 OF 1