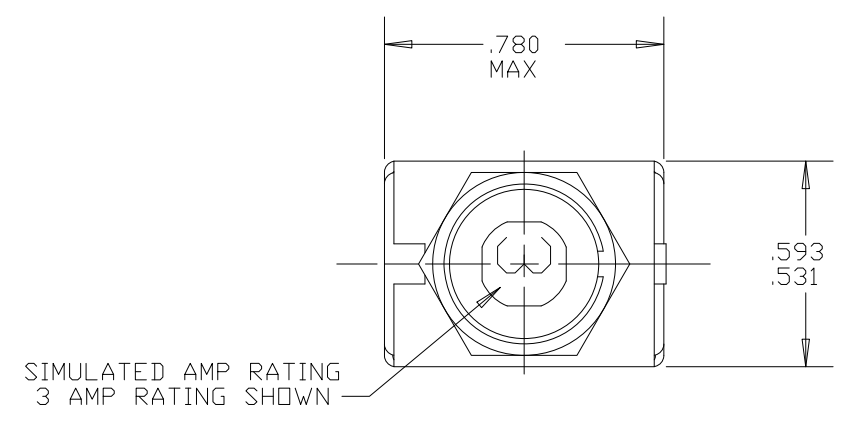
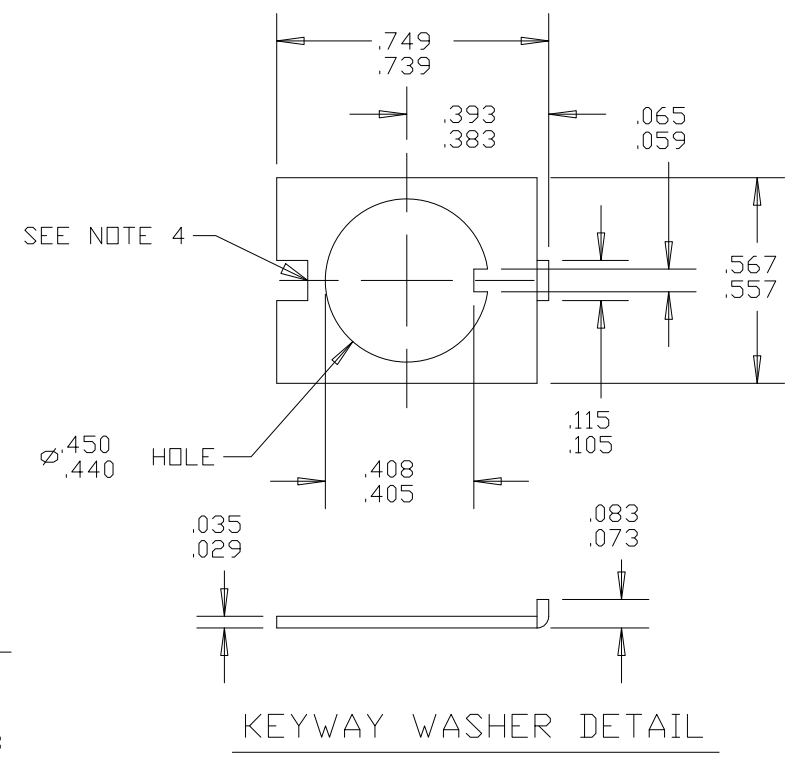
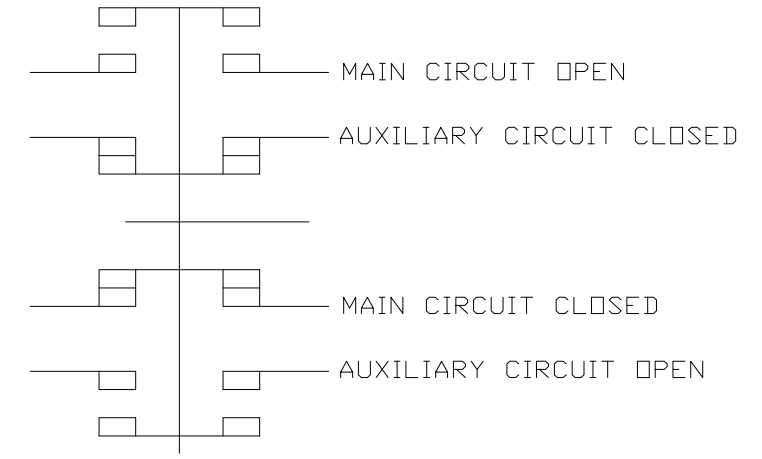


Property of
Sensata Technologies

ZONE	REV.	REVISION DESCRIPTION	ECN NO.	DATE
C4	P	.780 MAX WAS .781/.719; PD	ECO-111344	25-FEB-2015



PERFORMANCE CHARACTERISTICS

VIBRATION	5 G'S MAXIMUM 50-500 HZ
SHOCK	5 G'S MAXIMUM
ACCELERATION	5 G'S MAXIMUM
ENDURANCE	5000 MECHANICAL CYCLES, NO LOAD 5000 ELECTRICAL TRIP CYCLES AT 28 VDC (POST ENDURANCE, MAXIMUM TRIP TIME IS 5 SECONDS)
OPERATING FORCES	5LBS MAXIMUM, PULLOUT AND RESET
WEIGHT	30 GRAMS MAXIMUM

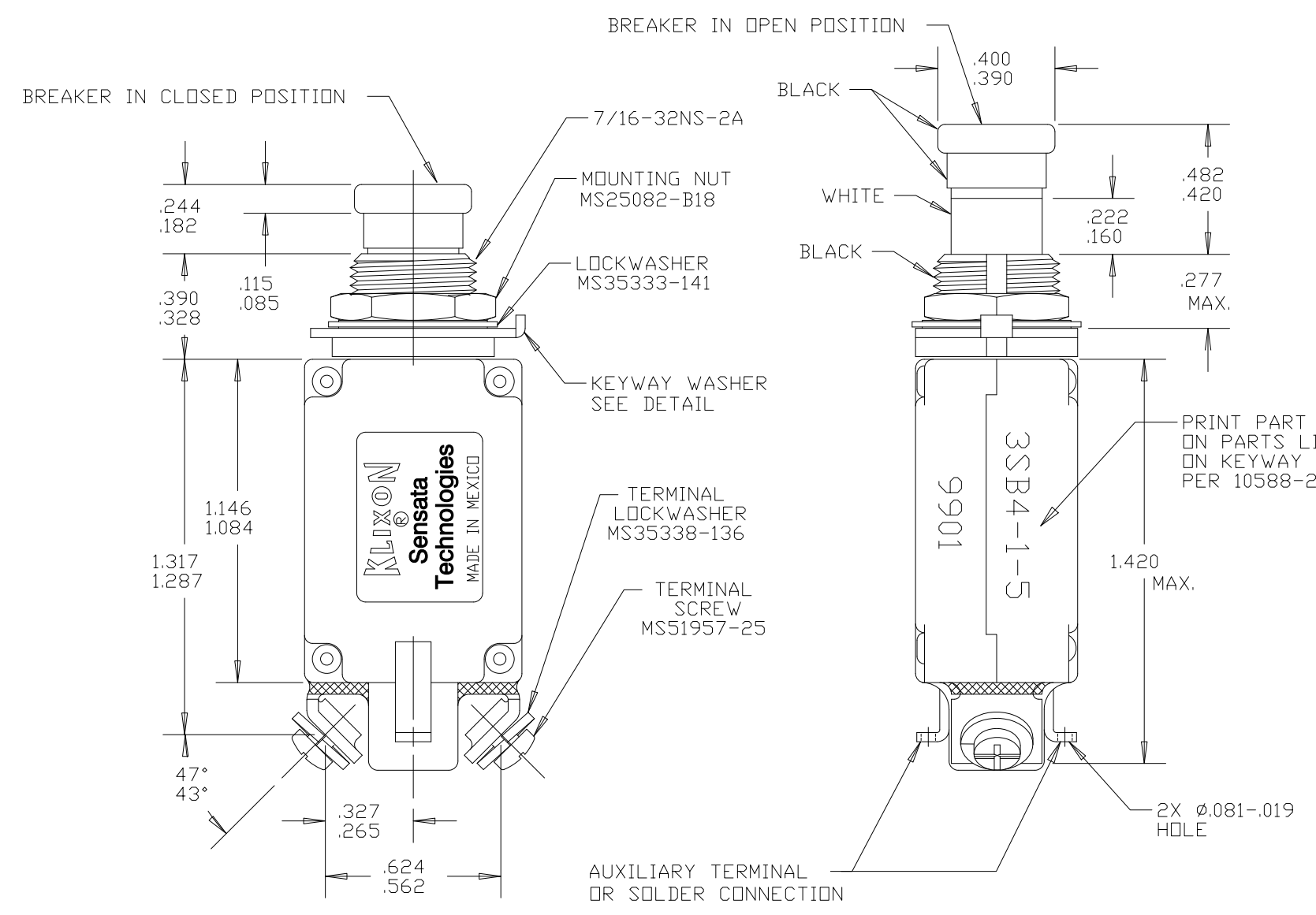
AUXILIARY CIRCUIT ENDURANCE

5 - 120 VAC, INDUCTIVE	2 AMP	5000 CYCLES
RESISTIVE	3 AMP	5000 CYCLES
5 - 30 VDC, INDUCTIVE	3 AMP	5000 CYCLES
RESISTIVE	5 AMP	5000 CYCLES

CUSTOMER WILL SPECIFY THE AMP RATING THEY WOULD LIKE TO HAVE INDICATED ON THE PUSHBUTTON. EXAMPLE, 3SB4-1-5 SIGNIFIES A 5 AMP RATING ON THE PUSHBUTTON. A 3SB4-1-B SIGNIFIES A BLANK RATING INSERT. A 3SB4-1-N SIGNIFIES NO RATING INSERT.

NOTES:

- ALL MOUNTING HARDWARE HAS A DULL BLACK FINISH.
- CIRCUIT BREAKERS ARE SUITABLE FOR MOUNTING IN A 1/8" THICK PANEL OR LESS.
- EPDXY SURFACES ARE NON-DIMENSIONED, ENVELOPE DIMENSIONS DO NOT APPLY TO THESE PROJECTED EPDXY SURFACES.
- NON FUNCTIONAL NOTCH ON THE BACK OF THE KEYWAY WASHER IS OPTIONAL



CALIBRATION AT 25°C

3SB4-1	200ma	3 SECONDS	
PART NO.	MAX. CURRENT DRAW AT 28 VDC	MAX. TRIP TIME	

FOR REFERENCE ONLY, CHECK LATEST REVISION BEFORE USE. PARTS MADE TO THIS PRINT MUST CONFORM TO E9898 REV. E

DRAWN CHAS. FLEURANT DATE 21-JUN-1994 ENGINEER K.B. GASSER DATE 21-JUN-1994 APPROVED DATE APPROVED DATE	SENSATA TECHNOLOGIES PROPRIETARY AND CONFIDENTIAL. NEITHER THIS PRINT NOR THE INFORMATION CONTAINED HEREON IS TO BE USED AGAINST THE INTERESTS OF SENSATA TECHNOLOGIES OR AGAINST THE INTERESTS OF ANY OF ITS AFFILIATED COMPANIES OR WHOLLY OWNED SUBSIDIARIES. UNLESS OTHERWISE SPECIFIED DIMENSIONS ARE IN INCHES TOLERANCES DECIMALS ANGLES	529 PLEASANT STREET P.O. BOX 2964 ATTLEBORO, MA 02703 Sensata Technologies TITLE 3SB4 STYLE CIRCUIT BREAKER PUSH-PULL ENVELOPE DRAWING SIZE DWG NO. C 3SB4 REV. P SCALE 1:1 AUTOCAD SHEET 1 OF 1
--	--	--

DO NOT SCALE DRAWING THIRD ANGLE PROJECTION

DEVICE: PROJECT:3457 1